

GETTING STARTED

Quick Start

Congratulations! You are now the owner of a PicoBrew Z Series, a professional grade brewing appliance designed to scale to your needs.

Each unit of your Z Series system is packaged in three boxes:

- Box #1 Heating Module
- Box #2 Brewing Ingredients Module
- Box #3 Brew Keg

(When you purchase a Z2- Z4 system you will also receive Box #4: Power Cable.)

Instructions are Online

For a complete set of operating instructions, please refer to the online manual for your Z Series brewing machine at:

www.picobrew.com/ZManual

For any questions or concerns, please contact our customer care team at info@picobrew.com for assistance.

Cheers!

What's in the Box

BOX #1

- Z Heating Module

BOX #2

- Z Brewing Ingredients Module
- Assembly Screws (8 Black, 4 Stainless)
- T20 Screw Driver
- Drip Mat
- Heating Module Power Cord
- Step Filter
- Step Filter Plug (3)
- Step Filter Lid
- Drain Tube
- Drain Tube Grommet (2)
- Adjunct Compartment
- Top Mash Screen
- Bottom Mash Screen
- Adjunct Screen
- Hop Cages, Lids and Bands (4 ea.)
- Keg Cozy
- Foam Trap (and Extra Washer)
- Party Tap
- Ethernet Cable
- Syringe
- Transfer Tube
- Bottle of Anti-Foam
- Cleaning Tubes (2)
- Dishwasher Tablet
- Dip Tube Cleaning Brush

BOX #3 (KEG)

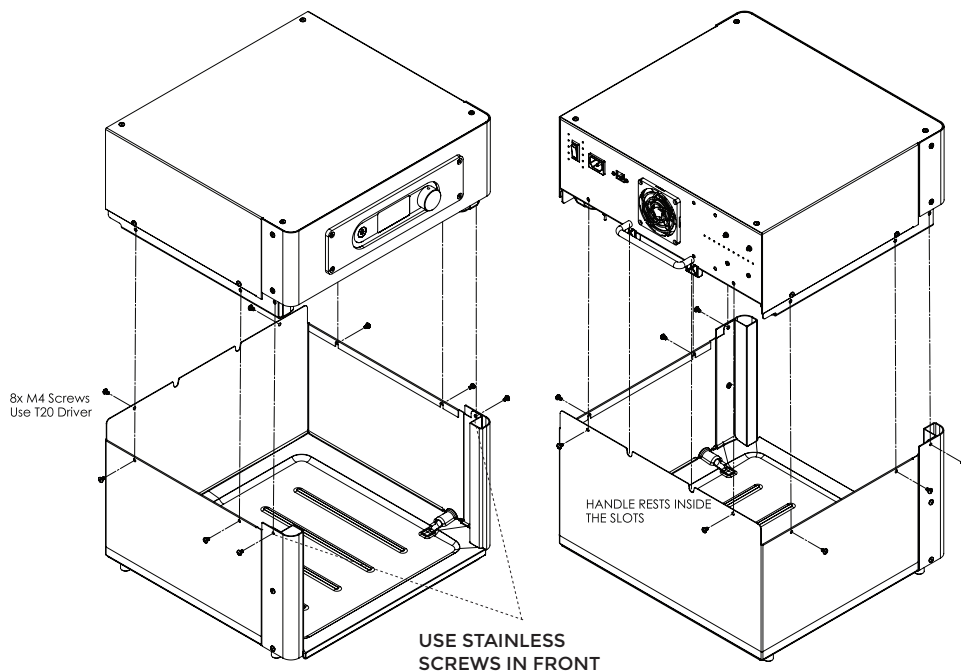
- Keg Seal
- Keg Seal Plug
- 3-piece Airlock
- Fast Fermentation Adapter
- Brew Keg (5 gallon)
- Metal Keg Lid

SAVE ALL PACKAGING MATERIALS

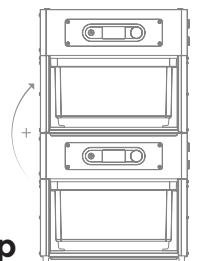
Important Safety Information

- Exercise common sense while operating the Z.
- Always use the keg cozy to shield the hot metal of the keg.
- Close supervision is needed when used around children.
- Allow machine to fully cool before removing or replacing parts.
- Do not operate with a frayed cord or broken plug.
- Do not remove Step Filter from the Z unless in pause mode or brew cycle is completed.
- The Step Filter and contents may be hot when removing from the machine.
- Do not immerse or soak the machine.
- Make sure all hoses are connected before starting a brewing, rinsing or cleaning cycle.
- To avoid risk of electrical shock hazard do not disassemble the Z. There are no user serviceable parts inside.
- Various surfaces can get extremely hot during the brewing cycle, use caution when handling the keg, hoses and components.
- Do not remove the hose clamps, hot liquid spray may result.
- Do not remove the keg attachments while brewing.
- Do not make any modifications to your Z or any of its components. Doing so can be dangerous, will void your warranty, and may cause damage to your Z or affect its performance.
- Avoid exposing your Z to rain, moisture, or other liquids which may cause damage to your machine or injury to you.
- Do not store your Z where it will be exposed to below freezing temperatures as this may damage internal components.
- Only operate your Z on completely level and sturdy surfaces.

Z Unit Assembly



Pro Tip:
Insert & lightly hand-tighten all screws before using T20 driver to fully tighten screws.



Setting up a Z2-Z4 System? Visit www.picobrew.com/pr/ZSeriesSetup

All rights reserved. No part of this publication may be reproduced, stored in retrieval systems or transmitted in any form or by any means electronic or mechanical, including, photocopying, record or any information storage and retrieval systems, without the written permission in writing from the copyright owners. Printed in Seattle, WA, USA

Produced by:
PicoBrew Inc.
2121 N 35th St.
Seattle, WA 98103
© 2019 PicoBrew