

ASSEMBLING YOUR Z2

You Will Need:

- Two Each: Heating Module (Box #1) and Ingredients Module (Box #2)
- Included T20 driver

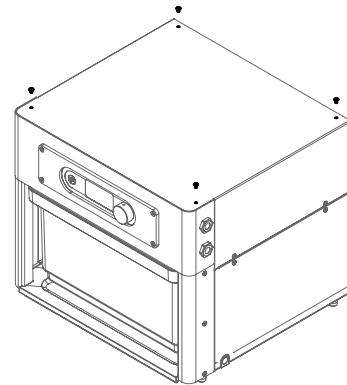
Information Online

For a complete set of operating instructions, please refer to the online manual for your Z Series brewing machine at: www.picobrew.com/ZManual

Assemble the Base Z Unit First

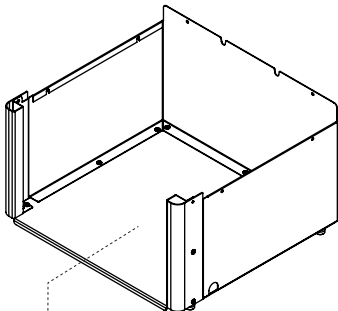
1 Build Unit 1 as shown in the Z1 Quick Start Guide. This will be the bottom unit of your Z2.

2 Remove the 4 Screws on the Top of your already assembled base unit.

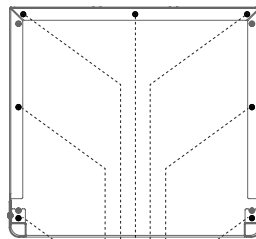


Prepare the Top Z Unit

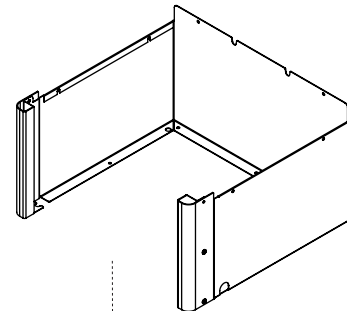
3 For the Ingredients Module of the top unit, remove the floor by unscrewing the 7 Screws connecting the Ingredients Module walls to the floor.



REMOVE RUBBER MAT TO EXPOSE SCREWS



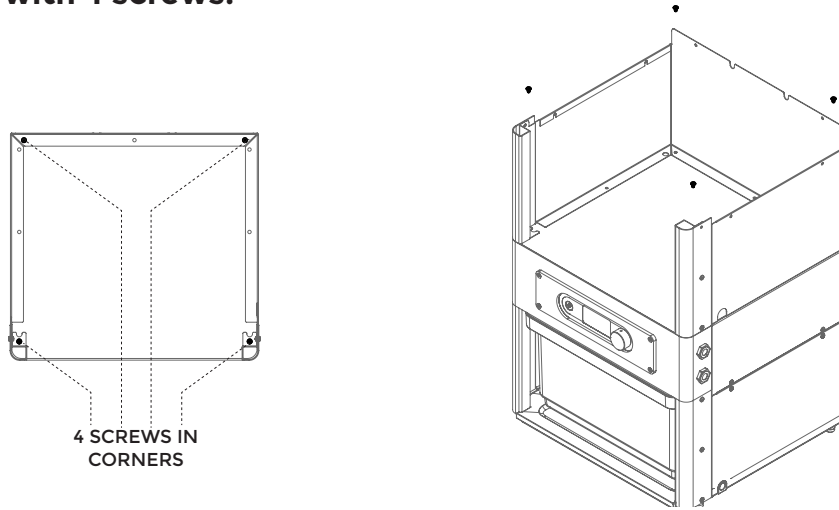
UNSCREW 7 SCREWS



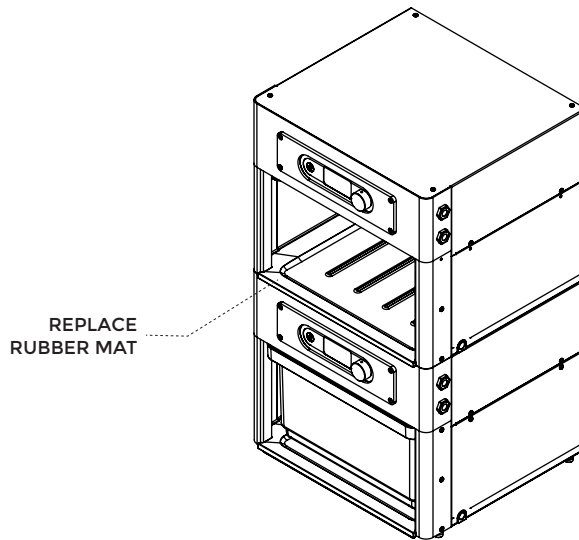
REMOVE FLOOR & PROCEED

Assemble the Top Z Unit

- 4** Stack the floor-less Ingredients Module on top of the base Z Unit and assemble with 4 screws.



- 5** Stack the Heating Module on top and finish assembly just as you did with the first unit.



Pro Tip:
Insert & lightly
hand-tighten all
screws before using
T20 driver to fully
tighten screws.

Congratulations, your Z2 is Assembled! Follow instructions included in Box #4 (Power Cable) to supply power to both Z Units and you'll be ready to brew.

All rights reserved. No part of this publication may be reproduced, stored in retrieval systems or transmitted in any form or by any means electronic or mechanical, including, photocopying, record or any information storage and retrieval systems, without the written permission in writing from the copyright owners. Printed in Seattle, WA, USA

Produced by:
PicoBrew Inc.
2121 N 35th St.
Seattle, WA 98103
© 2019 PicoBrew